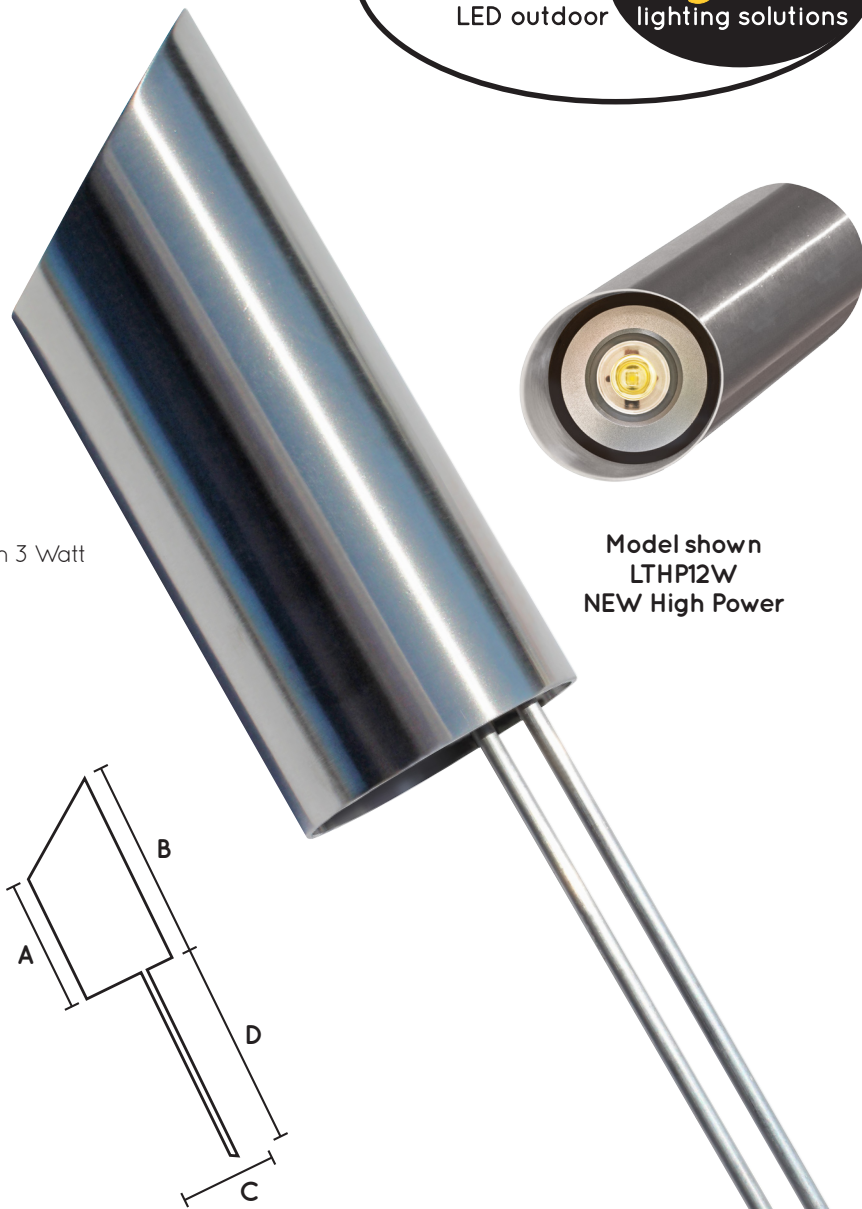


LED Garden Spike Light High Powered



SPECIFICATIONS

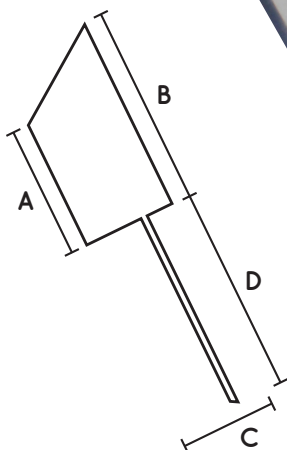
- Materials:** Casing: 316 Marine Grade Stainless Steel
- Input:** Low Voltage 12 V AC/DC
- Weatherproof Rating:** IP 67
- Warranty:** 3 years for electrics.
10 years for stainless steel casing
- LED type:** High Efficiency COB LED Chip
Lights are polarity sensitive for DC model only
- Colours:** Cool White Typical 6000 K. Not available in 3 Watt
Warm White Typical 2700 K
- Wiring:** 240V to the transformer, low voltage to the fitting. If more than one item is wired they must be connected in parallel



Model shown
LTHP12W
NEW High Power

FEATURES

- Energy efficient
- 50000 Hours
- No globes to change
- Ambient light
- Solid state technology
- Non corrosive
- No condensation
- Ideal for coastal environment
- No UV to attract insects
- Cool to touch
- Easy to install, easy to move



This light system contains non replaceable parts. Do not attempt to force open the light.

Indoor / Outdoor

model	dimensions				current	current	lens
	A	B	C	D	watts	mA(max)	degrees
LTHP3W	95mm	130mm	50mm	200mm	3	250	60
LTHP7W	125mm	160mm	63mm	200mm	7	585	60
LTHP12W	125mm	160mm	63mm	200mm	12	1000	60

Note: 1 Amp = 1000 milliamps (mA).

Polarity sensitive for DC model only.

1300 384 860
75a Bondi Road, Bondi
NSW 2026 Australia
info@bondilights.com.au
bondilights.com.au

Specifications subject to change without notice