

LED Pivot Path Light



SPECIFICATIONS

Materials: Casing: 316 Marine Grade Stainless Steel

Input: Low Voltage 12 V AC/DC

Weatherproof Rating:
IP 67

Warranty: 3 years for electrics.
10 years for stainless steel casing

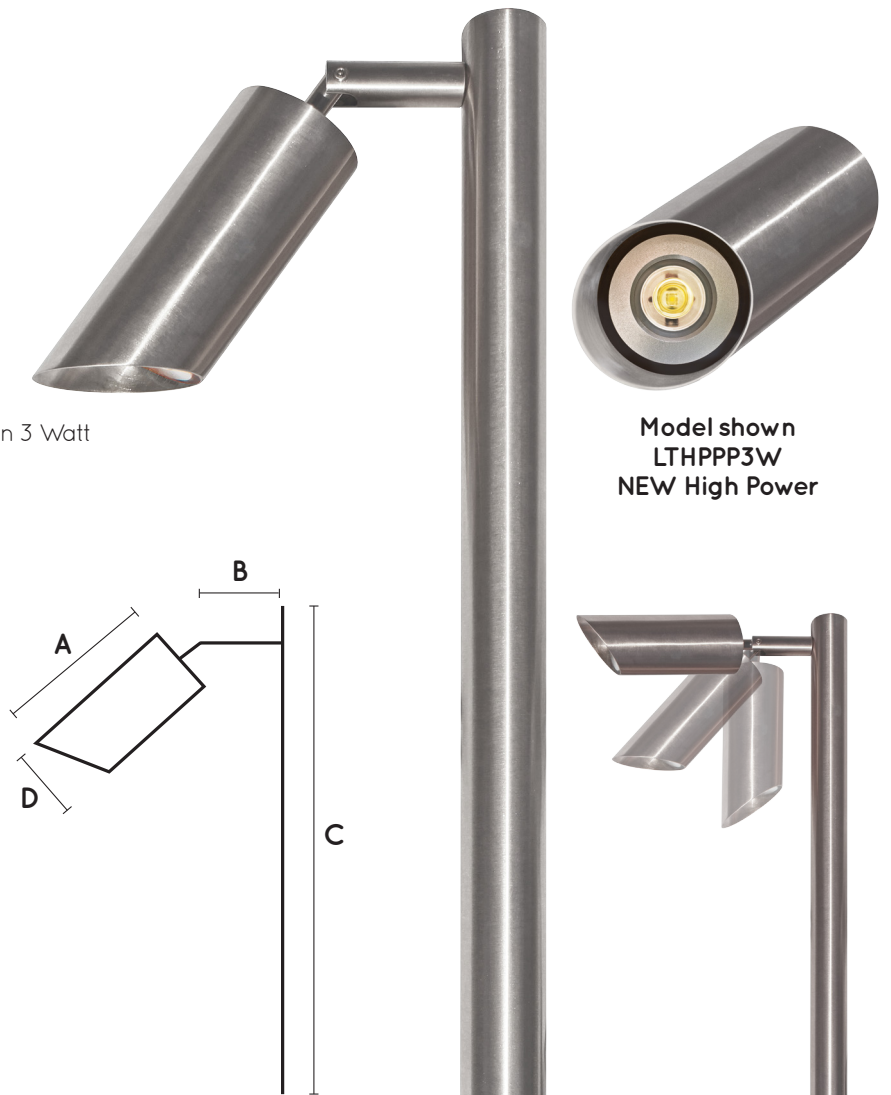
LED type: High Efficiency COB LED Chip
Lights are polarity sensitive
for DC model only

Colours: Cool White Typical 6000 K. Not available in 3 Watt
Warm White Typical 2700 K

Wiring: 240V to the transformer, low
voltage to the fitting. If more than
one item is wired they must be
connected in parallel

FEATURES

- Energy efficient
- 50000 Hours
- No globes to change
- Ambient light
- Solid state technology
- Non corrosive
- No condensation
- Ideal for coastal environment
- No UV to attract insects
- Cool to touch
- Easy to install, easy to move



Model shown
LTHPPP3W
NEW High Power

This light system contains non replaceable parts. Do not attempt to force open the light.

Indoor / Outdoor

model	dimensions				current	current	lens
	A	B	C	D	watts	mA(max)	degrees
LTHPPP3W	130mm	50mm	600mm	50mm	3	250	60
LTHPPP7W	160mm	50mm	600mm	63mm	7	585	60

Note: 1 Amp = 1000 milliamps (mA).

Polarity sensitive for DC model only.

AUSTRALIAN MADE

1300 384 860
75a Bondi Road, Bondi
NSW 2026 Australia
info@bondilights.com.au
bondilights.com.au

Specifications subject to change without notice